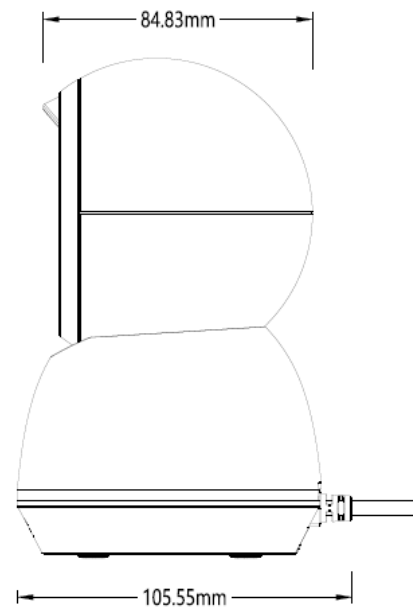
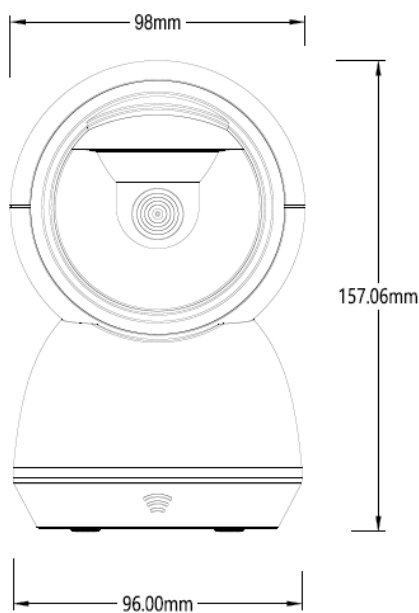


2D Omni-directional Desktop Barcode Scanner

Senso SA5

FEATURES & BENEFITS

- Roller shutter 640*480 pixels resolution
- Decoding min barcode density:5mil
- Support 1D/2D barcode on paper and screen
- Can read color barcode, twisted code
- Good at reversed Data matrix code
- There is a light strip at the bottom, very beautiful



Application



Technical Specification

SA5 Parameters

Reading performance	Image Sensor	CMOS	
	Resolution	640 x 480,roller shutter	
	Decoding capacity	Support paper and screen barcodes	
		2D: QR Code, Aztec Code, Data Matrix(reversed), Maxi Code, HAN XIN, Micro QR Code.	
		1D/ Stack code: GS1 DataBar Expanded Stacked; GS1 DataBar Stacked; GS1 DataBar Stacked Omnidirectional;GS1 DataBar Composite; MicroPDF417; PDF417	
	Precision	5mil @Code 39, PCS=90%	
	Light Source	LED white light	
	Scan Angle	Rotation360° ,tilt±60° ,skew±60°	
	Scan speed	300 times / sec	
	Trigger Mode	Continuous mode	
Print contract	25%		
Scan distance	20mil (QR) 5-80mm	5mil(PDF417) 5-60mm	
	5mil(code128) 1-70mm, 13.34mil(EAN13) 5-240mm,	20mil(DM) 5-80mm 5mil(EAN13) 1-70mm	
Performance may be impacted by bar code quality and environmental conditions			
Mechanical and electrical	Interface	USB, RS232,USB COM, HID POS etc.	
	Working Voltage	5VDC±10%	
	Current	Working <300mA, Standby <210mA	
	Cable Length	1.8M	
	Weight/packing	280g(net), 440g(gross), 190*108*105mm(Packing size)	
	Indication	LED &Buzzer	
Environment Request	Working Tem	-20°C~ +55°C	
	Storage Tem	-40°C~ +70°C	
	Humidity	5%-95%(Non-condensing)	
	Anti-drop	1.5M	
	Light level	0~100,000 Lux,	
	ESD protection	(Discharge in the air) 8 kV	